

Automated synthesis of mechanical vibration absorbers using genetic programming

JIANJUN HU,¹ ERIK D. GOODMAN,² SHAOBO LI,³ AND RONALD ROSENBERG⁴

¹Department of Computer Science and Engineering, University of South Carolina, Columbia, South Carolina, USA

²Department of Electrical and Computer Engineering, Michigan State University, East Lansing, Michigan, USA

³Key Laboratory of Advanced Manufacturing Technology, Ministry of Education, Guizhou University, Caijiaguan, Guiyang, People's Republic of China

⁴Department of Mechanical Engineering, Michigan State University, East Lansing, Michigan, USA

(RECEIVED March 10, 2005; ACCEPTED July 10, 2007)

Abstract

Conceptual innovation in mechanical engineering design has been extremely challenging compared to the wide applications of automated design systems in digital circuits. This paper presents an automated methodology for open-ended synthesis of mechanical vibration absorbers based on genetic programming and bond graphs. It is shown that our automated design system can automatically evolve passive vibration absorbers that have performance equal to or better than the standard passive vibration absorbers invented in 1911. A variety of other vibration absorbers with competitive performance are also evolved automatically using a desktop PC in less than 10 h.

Keywords: Automated Design; Bond Graphs; Conceptual Design; Evolutionary Design; Genetic Programming

1. INTRODUCTION

It is well known that innovative conceptual design in mechanical engineering is extremely difficult, and progress has been slow. For example, the vibration absorber technology widely used in automobiles was invented a century ago (Frahm, 1911), whereas the research in this field is still underexploited and remains a very productive research topic (Filipovic & Schroder, 1998). The widespread and critical application of vibration absorbers in structural control (Soong, 1990; Spencer et al., 1997), space structures, vehicle suspension (Hirata et al., 1995), high-speed trains (Moryz & Kuntze, 1996), and helicopter vibration (Strehlow, 1992) makes it an interesting domain within which to develop automated approaches for generating innovative design solutions.

There are three primary types of vibration absorbers (Jalili, 2002). The earliest class of vibration absorbers is passive absorbers, which do not require any additional source of power to work. A further extension to this model is semipassive or adaptive-passive vibration absorbers, in which the controlled frequency range can be controlled or adapted in response to a changing environment by tuning the parameters of one or

more components. The latest class of vibration absorbers is the active absorbers, which are based on modern control theory. Much progress has been reported on design of novel, patented or patent-pending active or semiactive absorbers; however, such progress is dependent on the talent and insights of human design experts.

Here we are trying to answer this question: can the Darwinian invention machine (Koza et al., 1999) based on evolutionary computation, or, more specifically, genetic programming (GP), be used to speed up the rate of innovation in mechanical design? Since 1997, it has been demonstrated that GP can generate human-competitive designs in a variety of domains including analog circuits (Koza et al., 2003), quantum circuits (Spector et al., 1998), and mechanical linkage mechanisms (Lipson, 2004). Compared to electrical circuits, distributed mechanical systems are more difficult to model. However, many mechanical systems can be effectively modeled and formalized to study their dynamic behaviors using current modeling tools such as bond graphs (Karnopp et al., 2000), which are widely used for modeling multidomain engineering systems.

In our previous work, an automated synthesis framework based on genetic programming and bond graphs (GPBG) was used to successfully evolve a variety of mechatronic systems (Fan, 2001; Seo et al., 2002). In this paper, we want to

Reprint requests to: Jianjun Hu, Department of Computer Science and Engineering, University of South Carolina, Columbia, SC 29208, USA. E-mail: jianjunh@cse.sc.edu

demonstrate that the GP-based GPBG system can be used to evolve better vibration absorbers with comparable or better performance than the passive vibration absorber invented a century ago. In addition, control systems have been shown to be synthesized effectively using GP (Koza et al., 2000). We project that one would be able to evolve novel semiactive or active vibration absorbers by combining the GPBG framework with control system evolution demonstrated by Koza et al.'s work.

The remainder of this paper is organized as follows. Section 2 reviews some representative vibration absorber designs as well as previous work on automated synthesis of electrical circuits, mechatronic systems, and mechanical systems. Section 3 defines three vibration absorber design problems and presents our GPBG framework for their automated synthesis. The experiments and analysis of results are then introduced in Section 4. Finally, Section 5 concludes this paper with a discussion of planned future work.

2. RELATED WORK

The invention history of vibration absorbers has spanned almost a century. The first vibration absorber was invented and patented by H. Frahm in 1911 (Frahm, 1911). As shown in Figure 1, his passive vibration absorber attaches a mass to a vibrating primary system (mass) through a damper and spring. By tuning the damping coefficient and the absorber stiffness of the spring, one can dramatically reduce the magnitude of vibration in response to a specified frequency of excitatory vibration. The limitation of these passive vibration absorbers is that they work well only at that specified frequency. If the frequency of the excitatory vibration changes, the vibration absorber will become ineffective or even become harmful because of the "de-tuning" phenomenon. A natural solution to this problem is to add an active controller to the whole system, as shown in Figure 1b. The benefits of active vibration absorbers are that they can track a change in frequency of the excitation source, and that they work for a wide frequency band. They are especially useful for vibration sources of unknown characteristics. The shortcoming of

active controllers is that the combined system could suffer from control-induced instability and from large control effort requirements, making them inapplicable in many industrial applications (Jalili, 2002). The third type of vibration absorber, as shown in Figure 1c, combines the advantages of passive and active absorbers by integrating a tuning control mechanism with tunable passive devices, such as variable rate damping and stiffness (Nemir et al., 1994; Franchek et al., 1995). These adaptive passive vibration absorbers are welcomed by industry because of their low energy requirements and low cost. There are several good reviews available for further details (Karnopp, 1995; Jalili, 2002).

There has recently been significant conceptual progress in design of vibration absorbers. Most of it relates to design of active controllers. Olgac and Holm-Hansen (1994) proposed a novel delayed resonant vibration absorber, which uses only a time-delayed feedback of the absorber mass displacement as the input signal for the control system. This patented absorber (Olgac, 1995) can effectively suppress discrete frequencies. Olgac et al. (1996) later introduced an even more interesting dual frequency fixed delayed resonator (DFFDR), which can effectively remove disturbances of two discrete frequencies. This DFFDR challenged the traditional understanding of the single mass/single natural frequency paradigm. Filipovic and Schroder (1998) extended the concept of delayed resonator and developed the bandpass vibration absorber (patent pending), also using only the local feedback force without measuring the displacement of the primary system. This bandpass absorber can absorb all disturbances in a given frequency band. These developments imply that there is great potential for applying GP-based automated synthesis in this domain for improved designs.

Vibration absorbers are a class of dynamic systems, and can be modeled as analog circuits, block diagrams, bond graphs, and so forth. One special characteristic of these particular dynamic systems is that the building blocks usually have a fixed number interface ports and may not be connected arbitrarily. Automated synthesis of dynamic systems has been investigated intensively in the past 10 years. Most of that work is related to analog circuit synthesis, as pioneered by

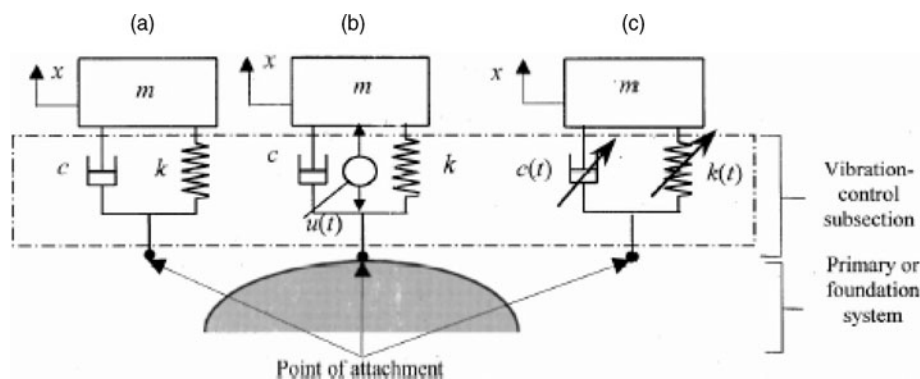


Fig. 1. A typical primary structure equipped with three versions of vibration control systems (absorbers): (a) passive, (b) active, and (c) semiactive configuration.

Koza and his colleagues (1999, 2003). Their work in automated analog circuit synthesis, including low-pass, high-pass, and asymmetric bandpass filters, is described in (Koza et al., 1997, 1999). Lohn and Colombano (1999) proposed a linear representation approach to evolve analog circuits. Ando and Iba (2000) suggested another simple linear genome method to evolve low-pass and bandpass filters with small numbers (<50) of components. Controllers, or dynamic systems represented as block diagrams, have also been synthesized automatically using GP by Koza et al. (2000). This work has led to the invention of a patentable controller having better performance than a standard PID controller.

Instead of using electrical circuits and block diagrams in our previous work, we developed a GP-based framework for automated synthesis of mechatronic systems using bond graphs as the modeling scheme. The so-called GPBG approach has been applied to automated synthesis of analog filters (Fan et al., 2001), redesign of an old-fashioned mechanical printer (Seo et al., 2002) and pump (Seo et al., 2003), automated synthesis of MEMS systems (Fan et al., 2004), and synthesis of robust analog filter circuits (Hu et al., 2005). However, no attempt has been made to duplicate or compare with designs invented by experts.

3. MECHANICAL VIBRATION ABSORBER SYNTHESIS USING GPBG

In this section, we define three vibration absorber synthesis problems and present an improved methodology for open-ended computational synthesis of multidomain dynamic systems based on bond graphs (Karnopp, 2000) and GP, the GPBG approach = genetic programming + bond graphs. Compared to the basic GPBG approach introduced in Seo et al. (2003), methodological improvements have been made several aspects, including the following two. First, a new GP function set was developed to improve on the basic set approach used in Fan et al. (2001). This new approach is able to preserve the topology search flexibility of the basic method while greatly reducing the redundancy in evolved solutions. The second improvement is the parameter evolution method. Our previous approach used a numeric subtree to evolve each parameter, whereas here a special parameter mutation operator is used to evolve the parameters for each topology.

3.1. Problem definition: Synthesis of passive vibration absorbers

In this paper, we are mainly interested in synthesizing passive vibration absorbers to reduce the vibration response of primary systems of various configurations. Figure 2a shows a primary system and its corresponding bond graph model, where the mass, the spring, and the damper correspond to the inductor (I), resistor (R), and capacitor (C), respectively.

The design task is to attach some new components to the primary system such that the frequency response at the excitation frequency ω be minimized. Figure 3 shows the first

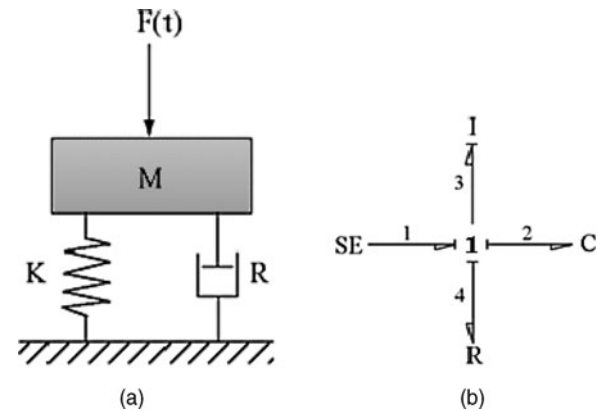


Fig. 2. The bond graph structure of a primary system and its bond graph model. (a) Primary system under perturbation of excitation force $F(t)$; (b) bond graph model.

vibration absorber, invented by Frahm in 1911, and its bond graph model. The frequency response of the stand-alone primary system and the primary system with vibration absorber is shown in Figure 4b. It can be seen that the vibration absorber can significantly quench the response of the primary systems at the excitation frequency. An advanced version of the vibration absorber synthesis problem is to minimize the sum of the frequency responses at two excitation frequencies (dual-frequency vibration absorber) or a frequency band to be minimized, corresponding to the band-vibration absorber described in Filipovic and Schroder (1998).

3.2. Bond graphs

The bond graph is a multidomain modeling tool for analysis and design of dynamic systems, especially hybrid multidomain systems, including mechanical, electrical, pneumatic, hydraulic, and so forth, components (Karnopp et al., 2000). One advantage of using bond graphs for open-ended design

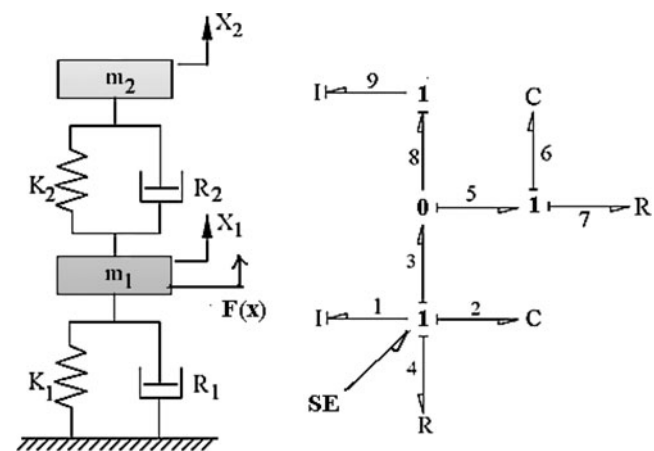


Fig. 3. The bond graph structure of the first patented vibration absorber and its bond graph model.

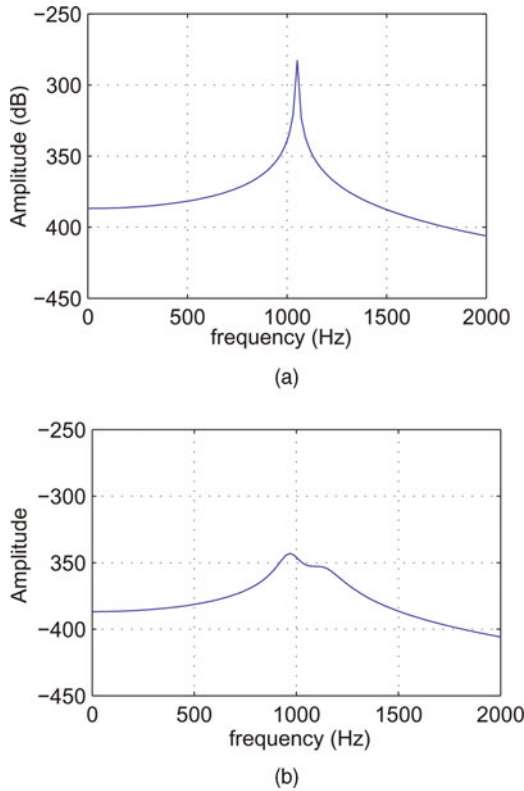


Fig. 4. Frequency responses of the primary system under perturbation of excitation force $F(t)$, without and with vibration absorber. (a) Without vibration absorber, (b) with a vibration absorber. [A color version of this figure can be viewed online at www.journals.cambridge.org]

exploration is that the complex loops typical in electric circuit schematics can be transformed into treelike structures by the bond graph's 1-junction (serial connection) and 0-junction (parallel connection) concepts, which tend to be easier to evolve in general. Another advantage is that the multidomain nature of bond graph modeling facilitates evolution of mechatronic systems. Many researchers have explored the bond graph as a tool for dynamic system design, for example, Tay et al. (1998). Details of notation and methods of system analysis related to the bond graph representation can be found

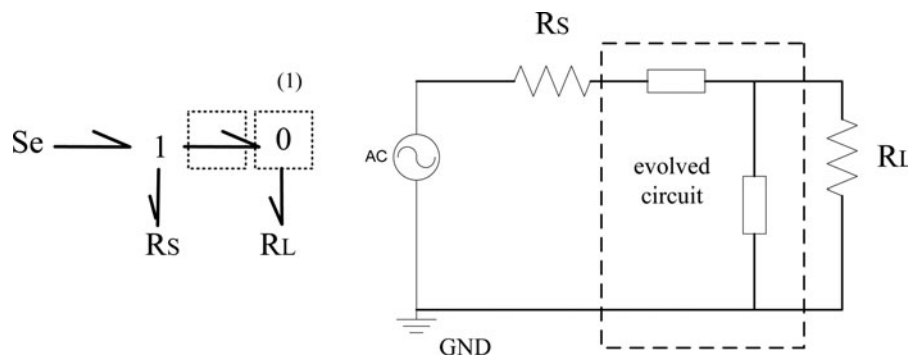


Fig. 5. A bond graph and its equivalent electrical circuit. The dotted boxes in the left bond graph indicate modifiable sites at which further topological manipulations can be applied. R, resistors; SE, sources of effort.

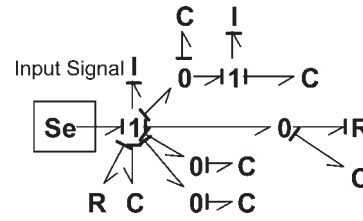


Fig. 6. The bond graph structure of a vibration absorber with seven components exclusive of the embryo components. (Component sizing values are omitted in the figure for simplicity.)

in Karnopp et al. (2000). Figure 5 illustrates a small bond graph that represents the accompanying electrical system. Figure 6 shows the complex bond graph model of a low-pass filter. A typical simple bond graph model is composed of (using notation from electrical systems): inductors (I), resistors (R), capacitors (C), transformers (TF), gyrators (GY), 0-junctions (J0), 1-junctions (J1), sources of effort (SE), and sources of flow (SF). In this paper, we are only concerned with linear dynamic systems represented as bond graphs, which are composed of inductors, resistors, capacitors, sources of effort (as input signals), and sources of flow as output signal access points.

3.3. Evolving dynamic systems using bond graphs and GP: The GPBG framework

The problem of automated synthesis of bond graphs involves two basic searches: the search for a good topology, and the search for good parameters for each topology, in order to be able to evaluate its performance. Based on Koza's work (Koza et al., 1999) on automated synthesis of electronic circuits, we created a developmental GP system for synthesizing mechatronic systems represented as bond graphs (Seo et al., 2003). This GPBG framework enables us to do simultaneous topology and parameter search. It includes the following major components: an embryo bond graph with modifiable sites at which further topological operations can be applied to grow the embryo into a functional system; a GP function set,

428
429
430
431
432
433
434
435
436
437
438
439
440
441
F5
442
443
F6
444
445
446
447
448
449
450
451
452
453
454
455
456
457
458
459
460
461
462
463
464
465
466
Q2
467
468
469
470
471
472
473
474
475
476
477
478
479
480
481
482
483
484
485
486
487
488

composed of a set of topology manipulation and other primitive instructions that will be assembled into a GP tree by the evolutionary process (execution of this GP program leads to topological and parametric manipulation of the developing embryo bond graph); and a fitness function to evaluate the performance of candidate solutions.

Choosing a good function set for bond graph synthesis is not easy. In our earliest work (Fan et al., 2001), a basic GP function set was used for evolutionary synthesis of analog filters. In that approach, the GP functions for topological operation included {Insert_J0/J1, Add_C/I/R, and Replace_C/I/R}, which allowed evolution of a large variety of bond graph topologies; see Figures 7 and 8. The shortcoming of this approach is that it tended to evolve redundant and sometimes causally ill-posed bond graphs (Seo et al., 2003). Later, we used a causally well-posed modular GP function set to evolve more concise bond graphs with much less redundancy (Hu et al., 2004). However, that encoding had a strong bias toward a chain-type topology, and thus may have limited the scope of topology search (Hu et al., 2005). In this paper we have improved the basic function set in Fan et al. (2001) and developed the following hybrid function set approach to reduce redundancy while enjoying the flexibility of topological exploration:

$$F = \{ \text{Insert_JOE}, \text{Insert_J1E}, \text{Add_C/I/R}, \text{EndNode}, \text{EndBond}, \text{ERC} \},$$

where the Insert_JOE, Insert_J1E functions insert a new 0-/1-junction into a bond while attaching at least one and at most three elements (from among C/I/R); EndNode and EndBond terminate the development (further topology manipulation) at junction modifiable sites and bond modifiable sites, respectively; the ephemeral random constant (ERC) represents a real number that can be changed by Gaussian mutation. In addition, the number and type of elements attached to the inserted junctions are controlled by three “flag” bits. A flag mutation operator is used to evolve these flag bits, each representing the presence or absence of the corresponding C/I/R component. Compared with the basic set approach, this hybrid approach can effectively avoid adding many bare (and redundant) junctions. At the same time, Add_C/I/R still provides

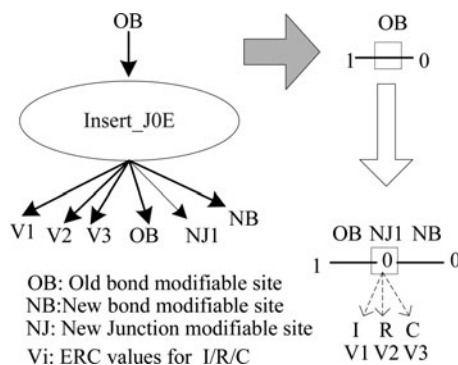


Fig. 7. The Insert_JOE genetic programming (GP) function inserts a new junction into a bond along with a certain number of attached components.

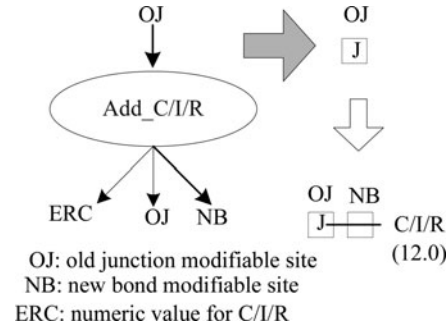


Fig. 8. The Add_C/I/R genetic programming (GP) function adds a C/I/R component to a junction.

the flexibility needed for broad topology search. For any of the three C/I/R components attached to each junction, there is a corresponding parameter to represent the component’s value, which is evolved by a Gaussian mutation operator in the modified GP system used here. This is different from our previous work in which the “classical” numeric subtree approach was used to evolve parameters of components. Figure 9 shows a GP tree that develops an embryo bond graph into a complete bond graph solution. Our comparison experiments (Hu et al., 2005) showed that this function set was more effective on both an eigenvalue and an analog filter test problem, so the new set was used in this paper.

3.4. Evolving vibration absorbers

In this paper, we are interested in evolving three types of vibration absorbers. The vibration absorbers of each type are evolved with several different configurations such as the maximum number of masses to be used, the starting embryo and its modifiable site, and the maximum number of components. The synthesis problems include the following.

3.4.1. Single-frequency vibration absorber

In this problem, we want to see if the GPBG system can reinvent the first patented vibration absorber, shown in Figure 3. The design problem is extracted from Jalili (2002). The parameters of the primary system are as follows:

$$m_p = 5.77 \text{ kg}; \quad k_p = 251.132 \times 1e6 \text{ N/m}; \quad c_p = 192.92 \text{ kg/s}.$$

The parameters of the standard passive absorber solution are the following:

$$m_a = 0.227 \text{ kg}; \quad k_a = 9.81e6 \text{ N/m}; \quad c_a = 355.6 \text{ kg/s}.$$

We used the bond graph embryos in Figure 2a for this problem. The modifiable site is the 1-junction. We could also have different function sets for this GP-based synthesis. Because it is not physically realistic to have many masses attached to the primary structures, we limit the maximum number of masses to two in all the experiments. In this problem, the synthesis

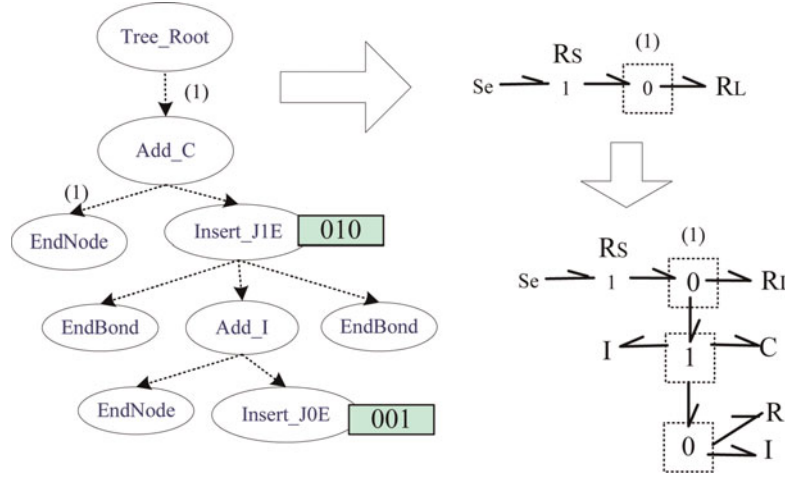


Fig. 9. An example of a genetic programming (GP) tree, composed of topology operators applied to an embryo, generating a bond graph after depth-first execution (numeric ERC nodes are omitted). Note that the 010 and 001 are the flag bits showing the presence of absence of attached C/I/R components. [A color version of this figure can be viewed online at www.journals.cambridge.org]

objective is to synthesize a vibration absorber such that the frequency response

$$f_{\text{raw}} = |TF(j\omega)|_{\omega=\omega_0} \quad (1)$$

of the primary system mass (displacement) at the frequency ω of excitation force $f = f_0 \times \sin \times \omega t$ is minimized. The normalized fitness is defined as

$$f_{\text{norm}} = \frac{\text{NORM}}{\text{NORM} + f_{\text{raw}}}, \quad (2)$$

where NORM is a normalization term aimed at adjusting the f_{norm} into the range of [0, 1]. This process transforms the minimization of deviation from target frequency response into a maximization of fitness process as used in our GP system. Because tournament selection is used as the selection operator, the normalization term can be an arbitrary positive number. For both lowpass and highpass filter problems, NORM is set to 10, which gives a fitness range within [0, 1].

According to Eq. (1), we need to calculate the frequency response as $X_1(s)/F(s)$ where X_1 is the displacement of the primary mass and $F(s)$ is the excitation force. However, we can only extract from a bond graph the source effort signal $X_1(s)$. We use the following procedure to get the f_{raw} :

1. calculate A, B, C, D matrices from a given bond graph,
2. convert A, B, C, D into transfer function TF_{raw} ,
3. $TF_{\text{norm}} = TF_{\text{raw}} \times 1/s$ is equal to $X_1(s)/F(s)$,
4. convert TF_{norm} back to A', B', C', D' matrices and simulate its frequency response with Matlab.

3.4.2. Dual-frequency vibration absorber

This problem is borrowed from Olgac et al.'s (1996) patented vibration absorber. In this problem, the parameters of the

primary system and the corresponding standard passive absorber used in Olgac et al. (1996) are as follows:

$$m_p = 7.756 \text{ kg}; \quad k_p = 62,000 \text{ N/m}; \quad c_p = 2500 \text{ kg/s.}$$

$$m_a = 4 \text{ kg}; \quad k_a = 722,470 \text{ N/m}; \quad c_a = 1513.2 \text{ kg/s.}$$

The excitation force is

$$f = f_1 \sin \omega_1 t + f_2 \sin \omega_2 t,$$

where $\omega_1 = 25 \text{ Hz}$ and $\omega_2 = 70 \text{ Hz}$.

The raw fitness in this case is defined as

$$f_{\text{raw}} = |TF(j\omega)|_{\omega=\omega_1} + |TF(j\omega)|_{\omega=\omega_2} \quad (3)$$

and the normalized fitness is defined in Eq. (2). Because, in this paper, only passive vibration absorbers are evolved, we are not aiming at outperforming the dual frequency absorber invented by Olgac et al. (1996), but at determining how well a passive absorber can approximate the performance of the active absorbers for this problem.

3.4.3. Bandpass frequency vibration absorber

This problem is taken from the patent-pending vibration absorber invented by Filipovic and Schroder (1998). Their active absorber with a local feedback force has the capability to absorb all disturbance in a given frequency band rather than only at discrete frequencies as do most other vibration absorbers. In this problem, we are interested in testing how closely the evolved passive absorbers can approximate the performance of the invention.

The parameters of the primary system are the following:

$$m_p = 20,000 \text{ kg}; \quad k_p = 25,300,000 \text{ N/m}; \quad c_p = 39,700 \text{ kg/s.}$$

The natural frequency is thus $\omega_n = 35.7 \text{ rad/s}$. Filipovic and Schroder's (1998) absorber sets the following parameters

Table 1. Experimental parameters for vibration absorber synthesis

| Parameter | Value | Parameter | Value |
|-----------------------|---------|---------------------------|-------|
| No. of subpopulations | 5 | Tournament selection size | 7 |
| Subpopulation size | 400 | pCrossover | 0.4 |
| Maximum evaluation | 100,000 | pMutationStandard | 0.05 |
| Migration interval | 5 gen | MutateMaxDepth | 3 |
| Migration size | 40 | pMutationParameter | 0.3 |
| Init.MaxDepth | 3 | pSwitchBit | 0.2 |
| Init.MinDepth | 2 | pSwapSubtree | 0.05 |
| StronglyTyped | True | TreeMaxDepth | 7 |

for the corresponding passive absorber:

$$m_a = 5.00 \text{ kg}; \quad k_a = 632,500 \text{ N/m}; \quad c_a = 4900 \text{ kg/s}$$

with the natural frequency $\omega_a = \omega_n$. The excitation force frequency bandwidth is $bw = 10 \text{ rad/s}$ and the center frequency is $\omega_o = 35 \text{ rad/s}$.

To evolve a bandpass vibration absorber, we sum the frequency responses at 12 logarithmically distributed sampling frequencies in the frequency band and transform it into standard fitness score according to Eq. (2).

3.5. Modified developmental GP

Compared to the GP systems used in Koza et al. (1999), our GP system is configured in a little different way in the following respects:

- A flag bit mutation operator is introduced to evolve the configuration of C/I/R elements attached to a junction.
- A subtree-swapping operator is used to exchange non-overlapping subtrees of the same individual (GP tree). In such operations, two type-compatible nodes are randomly selected such that the two subtrees do not overlap, and then a normal crossover operation is applied. This operator does not add or remove components, but reconfiguring the connections among existing components or subcomponents was found to enable better topology search.
- An ERC mutation operator is developed to evolve the parameter values for all C/I/R components. Instead of evolving a numeric subtree for each parameter, a Gaussian perturbation method, as is commonly used in evolution strategies (Rechenberg, 1974), is used to evolve parameters. In each generation, some individuals are selected for parameter mutation. For each such selected individual, half of its parameters are randomly selected to

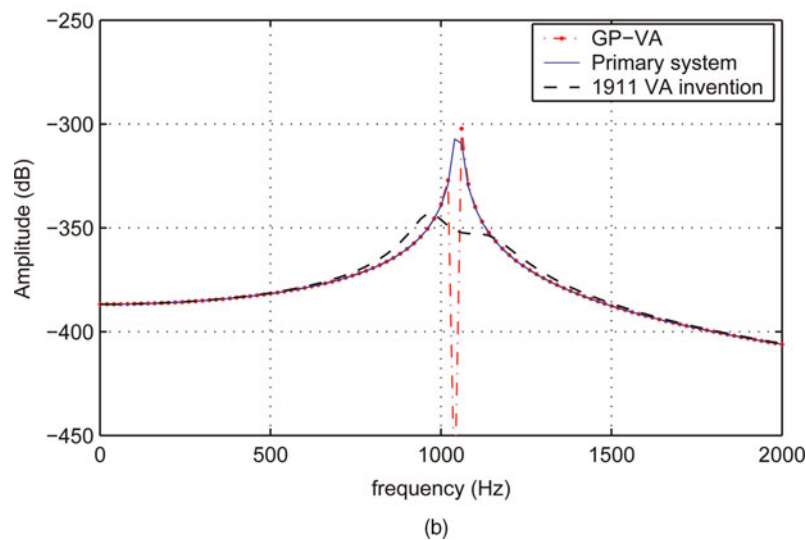
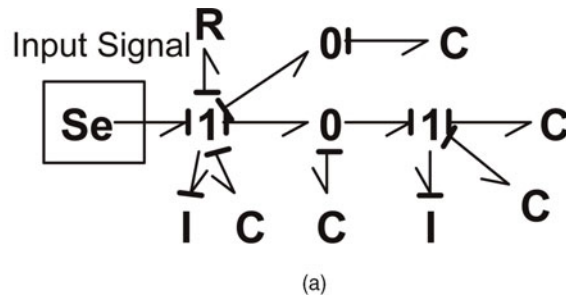


Fig. 10. The evolved single-frequency vibration absorber and its performance compared to standard vibration absorber. [A color version of this figure can be viewed online at www.journals.cambridge.org]

be mutated by adding to the current values a Gaussian perturbation noise with mean 0 and standard deviation 1. These two parameters are determined based on the component value determination process. In our GP system, a mapping process is used to transform an ERC value to the actual component value, following the approach described in Koza et al. (1999). This mapping process is used to constrain the component values into reasonable numeric ranges. The exponential numeric mapping means that a small change in ERC value can lead to large component value modification. We found that our parameter search method had the benefit of reducing the sizes of high-performance GP trees.

- Elitism is used throughout the evolution process.

In this paper, a standard strongly typed multipopulation generational GP enhanced with the above features is used to evolve analog filters represented as bond graphs. The running parameters are specified in Section 4.

4. EXPERIMENTS AND RESULTS

One of the major challenges to use GP-based automated synthesis system for design is to implement a fast fitness evaluation method. Instead of using the sophisticated SPICE simulator as used in many analog filter synthesis projects

(Koza et al., 1997), we simulated the frequency responses of a bond graph for fitness evaluation in the following way: first a state equation of a bond graph is derived automatically from the model, which generates the state equation matrices A, B, C, D . These state space models were then simulated on a Linux machine using C++ simulation code generated from Matlab compiler 3.0. After we calculated the frequency responses of an individual, we then transformed them into standard fitness as defined in Eqs. (2) and (3).

4.1. Experimental settings

Compared to the evolutionary synthesis of electrical circuits, a mechanical vibration absorber usually has a much smaller number of components. So the topological and parameter search space is thus greatly decreased. Most of the experiments are finished in less than an hour. Some of them just take a few minutes. Here we set the maximum number of components to be 7. Other standard GP parameters are summarized in Table 1.

4.2. Results

4.2.1. Single-frequency vibration absorber

Figure 10b shows an evolved single frequency vibration absorber and its frequency response compared to the responses of the primary structure without any absorber and

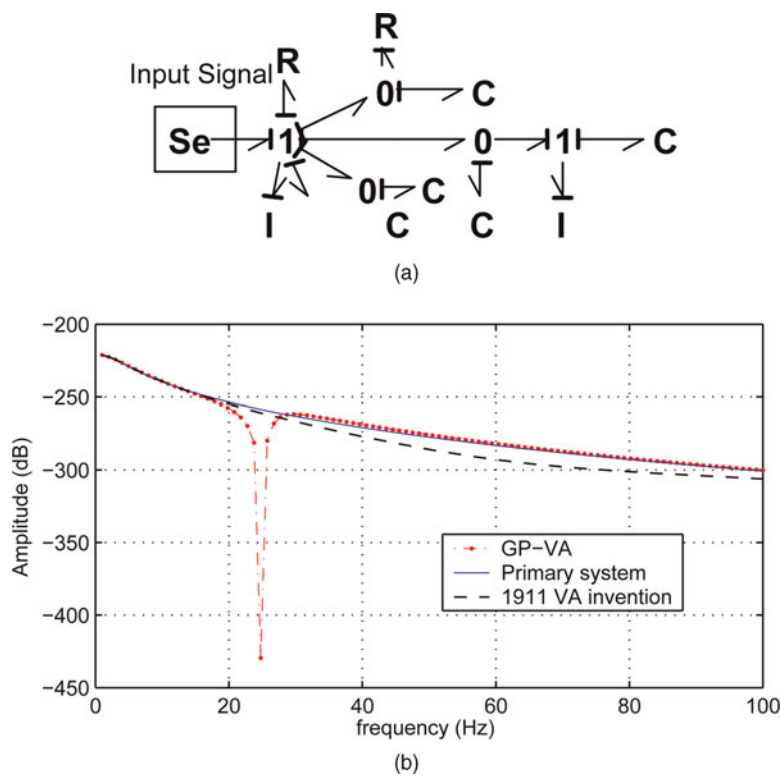


Fig. 11. The evolved dual-frequency vibration absorber and its performance compared to standard vibration absorber. [A color version of this figure can be viewed online at www.journals.cambridge.org]

with standard passive absorber invented in 1912. It is very interesting that the frequency response of the evolved vibration absorber has a very deep spike at the excitation frequency to minimize the frequency response at that single frequency. If the excitation frequency is relatively constant with little shifting, our evolved absorber will achieve better performance at that specific frequency. Another observation of the evolved design is that it does not contain any damper but a single mass and four springs that can be reduced to three springs (C in the figure).

4.2.2. Dual-frequency vibration absorber

In this problem, the two excitation frequencies are 25 and 75 Hz, respectively. It is of interest that the GP system again evolved an absorber at 25 Hz with greatly reduced response, whereas the frequency response at 75 Hz is worse than the standard passive absorber (Fig. 11b). Compared to the solution in the previous problem, a damper is used in this dual-frequency vibration absorber. We also checked the parameter values of the evolved solution. The mass value is 3.93 kg, the damper ratio is 1499.58; both are in very reasonable range. The sizing values of other three springs are also easy to realize. However, the shortcoming of our evolved VA is that the frequency response at 75 Hz is not damped well, partially

caused by our definition of the fitness function, which simply minimizes the average the frequency responses at these two frequencies. In this aspect, our vibration absorber is much better than the standard one.

4.2.3. Bandpass vibration absorber

Figure 12 shows the evolved bandpass vibration absorber. It consists of one damper, one mass, and five springs. The parameters of this VA are relatively easy to realize, although we did not apply the parameter constraints during the evolution. The mass of the PVA is 10 kg, the damper ratio is 5994.39 kg/s. The spring parameters are all within realizable range. In this problem, the target frequency band is from 4.77 to 6.37 Hz. As we can see from the figure, the evolved VA has much lower frequency responses across all the band area. Compared to the standard passive absorber, our solution is significantly better using only passive components. However, we also find that this solution is not as good as the active bandpass absorber proposed by Filipovic and Schroder (1998). Their active VA is able to almost completely damp any frequency response within the target band area. This discrepancy suggests the necessity and promise of introducing synthesis of both controllers and passive vibration absorbers simultaneously.

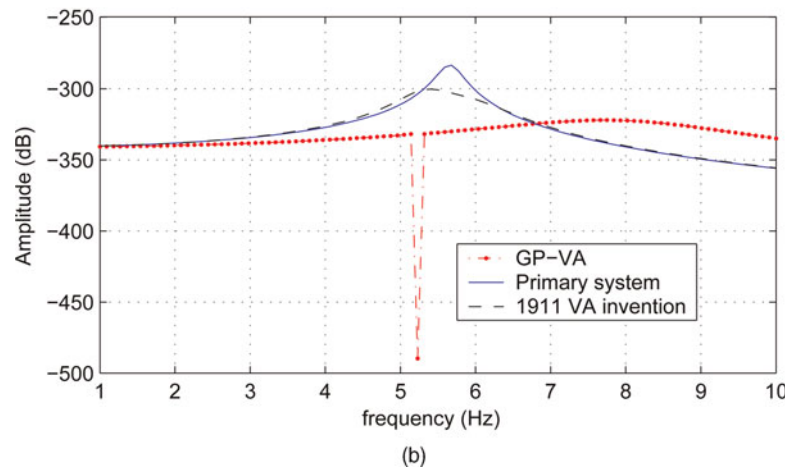
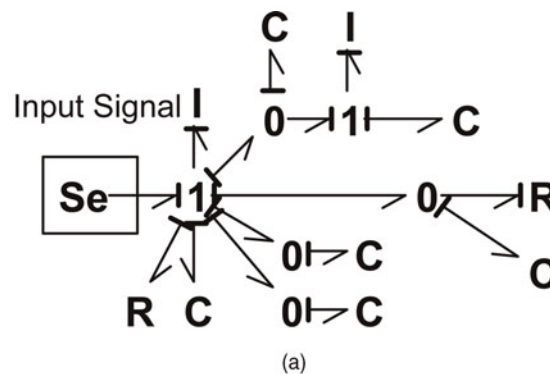


Fig. 12. The performance of the evolved bandpass vibration absorber compared to the standard vibration absorber. [A color version of this figure can be viewed online at www.journals.cambridge.org]

5. CONCLUSIONS

In this paper, we present a GP-based method for automated synthesis of passive mechanical vibration absorbers. Using this system, we have evolved a passive vibration absorber that has better performance than the first patented vibration absorber. Other advanced dual frequency and bandpass vibration absorbers have also been evolved successfully. These solutions can be very useful for inspiring design engineers to find new ways for implementing real-world vibration absorbers. In this work, we have not worked on semiactive or active absorbers as our current GP system has not yet be developed to evolve controllers. Because both mechatronic system synthesis based on bond graphs (Seo et al., 2003) and controller synthesis based on block diagrams and GP (Koza et al., 2000) have been shown to be very successful, we are now combining them to rediscover or evolve better delayed response vibration absorbers, dual frequency vibration absorbers, and other conceptually novel vibration absorbers. Considering the importance and extensiveness of application of these devices, it appears very promising to explore this application domain further.

ACKNOWLEDGMENTS

This paper was based on our previous work funded by NSF Grant DMI0084934. J.H. and S.L. are partially supported by China NNSF Grant 50575047.

REFERENCES

- Ando, S., & Iba, H. (2000). *Linear Genome Methodology for Analog Circuit Design*, Technical Report. University of Tokyo, School of Engineering, Information and Communication Department.
- Fan, Z., Hu, J., Seo, K., Goodman, E.D., Rosenberg, R.C., & Zhang, B. (2001). Bond graph representation and GP for automated analog filter design. *Genetic and Evolutionary Computation Conf. Late-Breaking Papers*, pp. 81–86.
- Fan, Z., Seo, K., Hu, J., Goodman, E.D., & Rosenberg, R.C. (2004). A novel evolutionary engineering design approach for mixed-domain systems. *Journal of Engineering Optimization* 36(2), 127–147.
- Filipovic, D., & Schroder, D. (1998). Bandpass vibration absorber. *Journal of Sound and Vibration* 214(3), 553–566.
- Frahm, H. (1911). *Device for damping vibrations of bodies*. US Patent 989,958.
- Franchek, M.A., Ryan, M., & Bernhard, R.J. (1995). Adaptive-passive vibration control. *Journal of Sound and Vibration* 189(5), 565–585.
- Hirata, T., Koizumi, S., & Takahashi, R. (1995). H control of railroad vehicle active suspension. *Automatica* 31, 13–24.
- Hu, J., Goodman, E., & Rosenberg, R. (2004). Topological search in automated mechatronic system synthesis using bond graphs and genetic programming. *Proc. American Control Conf. ACC 2004*.
- Hu, J., Goodman, E., Seo, K., Fan, Z., & Rosenberg, R. (2005). The hierarchical fair competition (hfc) framework for sustainable evolutionary algorithms. *Evolutionary Computation*, 13(2).
- Jalili, N. (2002). A comparative study and analysis of semi-active vibration-control systems. *Journal of Vibration and Acoustics* 124, 593.
- Kamopp, D. (1995). Active and semi-active vibration isolation. *ASME Journal of Manufacturing and Science Engineering* 117, 177–185.
- Kamopp, D., Margolis, D.L., & Rosenberg, R.C. (2000). *System Dynamics: Modeling and Simulation of Mechatronic Systems*, 3rd ed. New York: Wiley.
- Koza, J.R., Andre, D., Bennett III, F.H., & Keane, M. (1999). *Genetic Programming 3: Darwinian Invention and Problem Solving*. San Mateo, CA: Morgan Kaufmann.

- Koza, J.R., Bennett III, F.H., Andre, D., Keane, M.A., & Dunlap, F. (1997). Automated synthesis of analog electrical circuits by means of genetic programming. *IEEE Transactions on Evolutionary Computation* 1(2), 109–128.
- Koza, J.R., Keane, M.A., Streeter, M.J., Mydlowec, W., Yu, J., & Lanza, G. (2003). *Genetic Programming IV: Routine Human-Competitive Machine Intelligence*. New York: Kluwer Academic.
- Koza, J.R., Keane, M.A., Yu, J., Bennett III, F.H., & Mydlowec, W. (2000). Automatic creation of human-competitive programs and controllers by means of genetic programming. *Genetic Programming and Evolvable Machines* 1(1/2), 121–164.
- Lipson, H. (2004). How to draw a straight line using a GP: benchmarking evolutionary design against 19th century kinematic synthesis. *Late-Breaking Papers at the 2004 Genetic and Evolutionary Computation Conf.*
- Lohn, J., & Colombano, S. (1999). A circuit representation technique for automated circuit design. *IEEE Transactions on Evolutionary Computation* 3(3), 205–219.
- Morys, B., & Kuntze, H.-B. (1996). Entstehung und ausregelung von strukturschwingungen bei hochgeschwindigkeitszugen, verursacht durch radrundheiten. *VDI Berichte* 1282, 449–460.
- Nemin, D.C., Lin, Y., & Osegueda, R.A. (1994). Semi-active motion control using variable stiffness. *Journal of Structural Division, ASCE* 120(4), 1291–1306.
- Olgac, N. (1995). Delayed resonators as active dynamic absorbers. U.S. patent specification 5,431,261.
- Olgac, N., Elmali, H., & Vijayan, S. (1996). Introduction to the dual frequency fixed delayed resonator. *Journal of Sound and Vibration* 189(3), 355–367.
- Olgac, N., & Holm-Hansen, B. (1994). A novel active vibration absorption technique: delayed resonator. *Journal of Sound and Vibration* 176, 93–104.
- Rechenberg, I. (1973). *Evolutionsstrategie: Optimierung technischer Systeme nach Prinzipien der biologischen Evolution*. Stuttgart: Frommann-Holzboog Verlag.
- Seo, K., Fan, Z., Hu, J., Goodman, E.D., & Rosenberg, R.C. (2003). Dense and switched modular primitives for bond graph model design. *Genetic and Evolutionary Computation Conf. GECCO-2003*, pp. 1764–1775.
- Seo, K., Fan, Z., Hu, J., Goodman, E.D., & Rosenberg, R.C. (2003). Toward an automated design method for multi-domain dynamic systems using bond graphs and genetic programming. *Mechatronics* 13(8–9), 851–885.
- Seo, K., Hu, J., Fan, Z., Goodman, E.D., & Rosenberg, R.C. (2002). Automated design approaches for multi-domain dynamic systems using bond graphs and genetic programming. *The International Journal of Computers, Systems and Signals* 3(1), 55–70.
- Soong, T. (1990). *Active Structural Control: Theory and Practice*. New York: Wiley.
- Spector, L., Barnum, H., & Bernstein, H.J. (1998). Genetic programming for quantum computers. *Genetic Programming 1998: Proc. 3rd Annual Conf.*, pp. 365–373. San Francisco, CA: Morgan Kaufmann.
- Spencer, Jr., B.F., Dyke, S.J., & Deoskar, H. (1997). Benchmark problems in structural control—part I: active mass driver. *Proc. ASCE Structures Congr.*
- Tay, E., Flowers, W., & Barrus, J. (1998). Automated generation and analysis of. *Research in Engineering Design* 10(1), 15–29.
-
- Jianjun Hu** received his BS and MS degrees from Wuhan University of Technology, China, and his PhD in computer science from Michigan State University in 2004. He held postdoctoral positions in bioinformatics at Purdue University and the University of Southern California from 2004 to 2007. He is currently an Assistant Professor in the Department of Computer Science and Engineering at the University of South Carolina. His research interests include evolutionary algorithms, genetic programming, open-ended computational synthesis, data mining, and bioinformatics.
- Erik D. Goodman** is Cofounder and Vice President for Technology at Red Cedar Technology, Inc. He is a Professor of electrical and computer engineering and mechanical engineering at Michigan State University and performs research

| | | | |
|------|---|---|------|
| 1221 | on evolutionary design of structural and dynamic systems. | Institute of Computer Applications, Chinese Academy of | 1282 |
| 1222 | For 20 years he directed the Case Center for Computer-Aided | Sciences, in 2003. Dr. Li's research interests include evolu- | 1283 |
| 1223 | Engineering and Manufacturing and currently codirects the | tionary algorithms, design automation and optimization of | 1284 |
| 1224 | Genetic Algorithms Research and Applications Group | mechatronic systems, manufacturing information manage- | 1285 |
| 1225 | (GARAGE). Dr. Goodman was the Founding Chair of | ment, and information systems. | 1286 |
| 1226 | ACM SIEVO, the Special Interest Group on Genetic and Evo- | | 1287 |
| 1227 | lutionary Computation, and was elected a Senior Fellow of | Ronald C. Rosenberg is a Professor of mechanical engineer- | 1288 |
| 1228 | the International Society for Genetic and Evolutionary Com- | ing in the Department of Mechanical Engineering at Michi- | 1289 |
| 1229 | putation. | gan State University. Dr. Rosenberg's research interests are | 1290 |
| 1230 | | in modeling, simulation, and design of complex engineering | 1291 |
| 1231 | Shaobo Li is currently a Professor and Associate Director in | systems. His specialty is the use of bond graph tools for | 1292 |
| 1232 | the Key Laboratory of Advanced Manufacturing Technology, | understanding and simulating the dynamic behavior of multi- | 1293 |
| 1233 | Ministry of Education, Guizhou University. He received his | energy domain problems. He is the coauthor of <i>System Dy-</i> | 1294 |
| 1234 | BS degree from Huazhong University of Science and | <i>namics</i> , a textbook that elucidates the bond graph approach. | 1295 |
| 1235 | Technology, MS degree from Guizhou University of Tech- | Other current research interests are modeling with genetic al- | 1296 |
| 1236 | nology, and PhD degree in computer science from the | gorithms for improved system design. | 1297 |
| 1237 | | | 1298 |
| 1238 | | | 1299 |
| 1239 | | | 1300 |
| 1240 | | | 1301 |
| 1241 | | | 1302 |
| 1242 | | | 1303 |
| 1243 | | | 1304 |
| 1244 | | | 1305 |
| 1245 | | | 1306 |
| 1246 | | | 1307 |
| 1247 | | | 1308 |
| 1248 | | | 1309 |
| 1249 | | | 1310 |
| 1250 | | | 1311 |
| 1251 | | | 1312 |
| 1252 | | | 1313 |
| 1253 | | | 1314 |
| 1254 | | | 1315 |
| 1255 | | | 1316 |
| 1256 | | | 1317 |
| 1257 | | | 1318 |
| 1258 | | | 1319 |
| 1259 | | | 1320 |
| 1260 | | | 1321 |
| 1261 | | | 1322 |
| 1262 | | | 1323 |
| 1263 | | | 1324 |
| 1264 | | | 1325 |
| 1265 | | | 1326 |
| 1266 | | | 1327 |
| 1267 | | | 1328 |
| 1268 | | | 1329 |
| 1269 | | | 1330 |
| 1270 | | | 1331 |
| 1271 | | | 1332 |
| 1272 | | | 1333 |
| 1273 | | | 1334 |
| 1274 | | | 1335 |
| 1275 | | | 1336 |
| 1276 | | | 1337 |
| 1277 | | | 1338 |
| 1278 | | | 1339 |
| 1279 | | | 1340 |
| 1280 | | | 1341 |
| 1281 | | | 1342 |